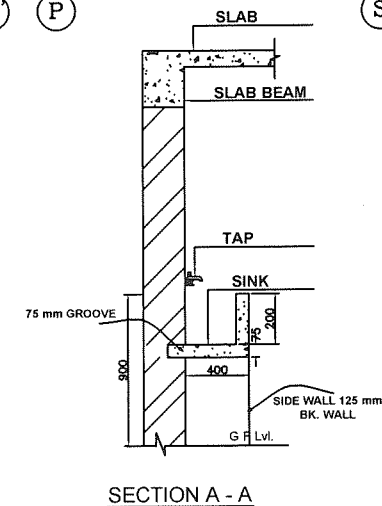


Drinking water point added
 Pantaj Singh
 12.7.18

GROUND FLOOR PLAN
 AREA - 1434.02 sqm (15430.06 sqft.)
 (SCALE 1:100)

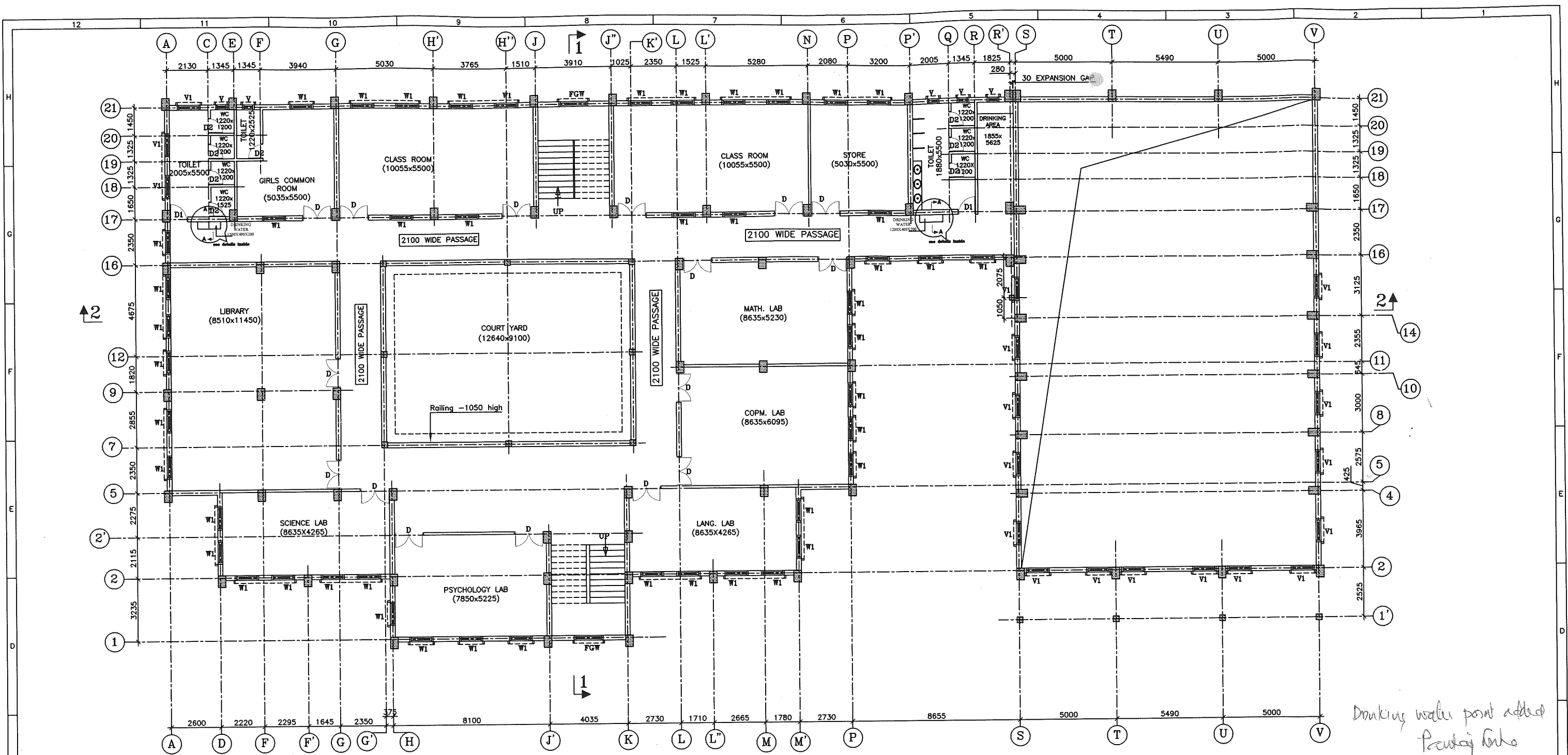
SCHEDULE OF DOORS & WINDOWS G.F					
SL.NO.	TYPE	WIDTH	HEIGHT	NOS.	DESCRIPTION
1	D	1500	2400	17	DOUBLE PANEL WOODEN DOOR
2	D1	900	2400	4	SINGLE PANEL WOODEN DOOR
3	D2	750	2400	13	SINGLE PANEL WOODEN DOOR
4	W1	1200	1500	45	STEEL FRAME GLAZED WINDOW
5	V	600	600	9	STEEL GLAZED VANTILATION
6	V1	1200	600	3	STEEL GLAZED VANTILATION
7	FGW	1500	1800	2	STEEL FRAME GLAZED WINDOW
8	FGW.1	1200	1500	4	STEEL FRAME GLAZED WINDOW
9	C.G	2400	2400	1	COLLAPSIBLE GATE



NOTES:-
 1. ALL DIMENSIONS AND LEVELS ARE IN mm. & FIGURED DIMENSIONS SHALL BE FOLLOWED.
 2. ±0.00 LEVEL CORRESPONDS TO PLINTH LEVEL(P.L.) OF BUILDING. WHICH IS 900mm ABOVE ABSOLUTE GROUND LEVEL(G.L.).

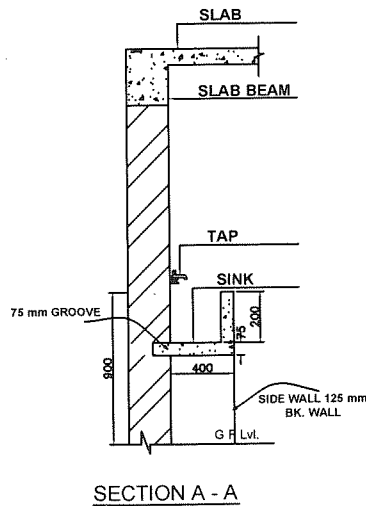
3. ALL RCC WORK SHALL BE OF M25 GRADE CONCRETE.
 4. BRICKWORK SHALL BE WITH 100A BRICKS IN CEMENT MORTAR 1:6.

BIHAR STATE EDUCATIONAL INFRASTRUCTURE DEVELOPMENT CORPORATION LTD. SHIKSHA BHAWAN, SAIDPUR, PATNA			
DRAUGHTSMAN BSEIDC, PATNA	ARCH. BSEIDC, PATNA	SENIOR (ARCH.) BSEIDC, PATNA	C.CON.S.(TECH.) BSEIDC, PATNA
PROJECT	PROPOSED INSTITUTIONAL BUILDING OF CTE		
DEPT.	BIHAR STATE EDUCATIONAL INFRASTRUCTURE DEVELOPMENT CORPORATION LTD. SHIKSHA BHAWAN, SAIDPUR, PATNA		
ARCHT. AND CONSULTANT	RDCS RANCHI DESIGN & CONSULTANCY SERVICES PVT. LTD. SOUTH OFFICE PARA, NEAR ST.XAVIER SCHOOL DORANDA, RANCHI-834002		
CHECKED & APPROVED	S.L.GOPE		
DESIGN BY	S.A.		
DRAWN BY	Sunil		
SIZE-	SCALE AS SHOWN		
		GROUND FLOOR PLAN	
		DRG. NO.-RDCS/BSEIDC/0035/CTE/001	SHEET 1 OF 5
		REV R=0	



Drinking water point added
Pankaj Baha
12.7.18

FIRST FLOOR PLAN
AREA - 1434.02 sqm (15430.06 sqft.)
(SCALE 1:100)



SCHEDULE OF DOORS & WINDOWS F.F					
SL.NO.	TYPE	WIDTH	HEIGHT	NOS.	DESCRIPTION
1	D	1500	2400	14	DOUBLE PANEL WOODEN DOOR
2	D1	900	2400	2	SINGLE PANEL WOODEN DOOR
3	D2	750	2400	8	SINGLE PANEL WOODEN DOOR
4	W1	1200	1500	42	STEEL FRAME GLAZED WINDOW
5	V	600	600	5	STEEL GLAZED VANTILATION
6	V1	1200	600	19	STEEL GLAZED VANTILATION
7	FGW	1500	1800	2	STEEL FRAME GLAZED WINDOW

NOTES:-
1. ALL DIMENSIONS AND LEVELS ARE IN mm. & FIGURED DIMENSIONS SHALL BE FOLLOWED.
2. ±0.00 LEVEL CORRESPONDS TO PLINTH LEVEL(P.L.) OF BUILDING. WHICH IS 900mm ABOVE ABSOLUTE GROUND LEVEL(G.L.).

3. ALL RCC WORK SHALL BE OF M25 GRADE CONCRETE.
4. BRICKWORK SHALL BE WITH 100A BRICKS IN CEMENT MORTAR 1:6.

BIHAR STATE EDUCATIONAL INFRASTRUCTURE DEVELOPMENT CORPORATION LTD. SHIKSHA BHAWAN, SAIDPUR, PATNA			
<i>Santosh</i> DRAUGHTSMAN BSEIDC, PATNA	<i>Pankaj Baha</i> 12.7.18 ARCH. BSEIDC, PATNA	SENIOR (ARCH.) BSEIDC, PATNA	C.CONS.(TECH.) BSEIDC, PATNA
PROJECT	PROPOSED INSTITUTIONAL BUILDING OF CTE		
DEPT.	BIHAR STATE EDUCATIONAL INFRASTRUCTURE DEVELOPMENT CORPORATION LTD. SHIKSHA BHAWAN, SAIDPUR, PATNA		
ARCHT. AND CONSULTANT	RANCHI DESIGN & CONSULTANCY SERVICES PVT. LTD. SOUTH OFFICE PARA, NEAR ST.XAVIER SCHOOL DORANDA, RANCHI-834002		
CHECKED & APPROVED	S.L.GOPE		
DESIGN BY	S.A.		
DRAWN BY	Sunil		
SIZE-	SCALE AS SHOWN		
FIRST FLOOR PLAN		DRG. NO.-RDCS/BSEIDC/0035/CTE/001	SHEET 2 OF 5
		REV R=0	

DATE	BY