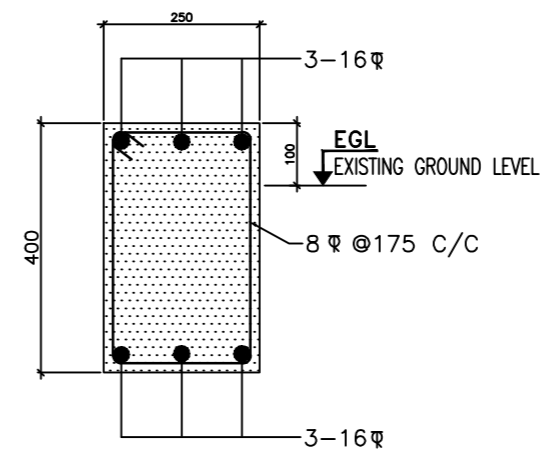
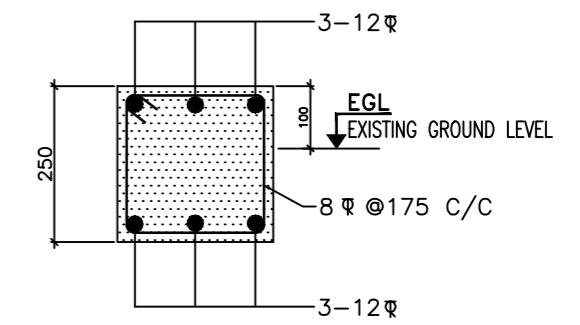


LAYOUT PLAN OF TIE BEAM
(SCALE 1:50)



CROSS SECTION OF TIE BEAM
(TB-1, TB-2, TB-3, TB-6,
TB-7, TB-9, TB-18)



CROSS SECTION OF TIE BEAM
(TB-4, TB-5, TB-8, TB-10,
TB-11, TB-12, TB-13, TB-14,
TB-15, TB-16, TB-17, TB-19)

MARKED	QUANTITY (NOS.)
TB-1	1
TB-2	1
TB-3	1
TB-4	2
TB-5	1
TB-6	1
TB-7	2
TB-8	1
TB-9	1
TB-10	1
TB-11	1
TB-12	2
TB-13	2
TB-14	2
TB-15	2
TB-16	2
TB-17	2
TB-18	2
TB-19	2

PROJECT	PROPOSED CONSTRUCTION OF MODEL SCHOOL			
DEPT.	BIHAR STATE EDUCATIONAL INFRASTRUCTURE DEVELOPMENT CORPORATION LTD. SHIKSHA BHAWAN, SAIDPUR, PATNA			
ARCHT. AND CONSULTANT	RANCHI DESIGN & CONSULTANCY SERVICES PVT. LTD. SOUTH OFFICE PARA, NEAR ST.XAVIER SCHOOL DORANDA, RANCHI-834002			
CHECKED & APPROVED	S.L.GOPE	MODEL SCHOOL LAYOUT PLAN & REINF. DETAIL OF TIE BEAM AT GROUND LEVEL		
DESIGN BY	S.A.			
DRAWN BY	AMIT			
SIZE-	SCALE 1:50	DRG. NO.-RDCS/BSEIDC/MSC/005	SHEET 1 OF 1	REV R=1

△			1. ALL DIMENSIONS AND LEVELS ARE IN mm. & FIGURED DIMENSIONS SHALL BE FOLLOWED.	3. FOR GA & ARCHITECTURAL DRGS. REFER DRG. NO.-RDCS/BSEIDC/MSC/001.	7. CLEAR COVER TO R/F, SHALL BE AS FOLLOWS. (a) BEAM -30mm
△		JONSAN	2. ±0.00 LEVEL CORRESPONDS TO PLINTH LEVEL(P.L.) OF BUILDING.	4. ALL RCC WORK SHALL BE OF M25 GRADE CONCRETE.	
△				5. ALL R/F, SHALL CONFORM TO IS:1786-1985 AND SHALL HAVE MIN. YIELD STRENGTH OF 500 N/SQMM.	
△				6. LAP LENGTH, 50xdia OF BAR SHALL BE PROVIDED.	
REV.	DESCRIPTION	DATE	BY		